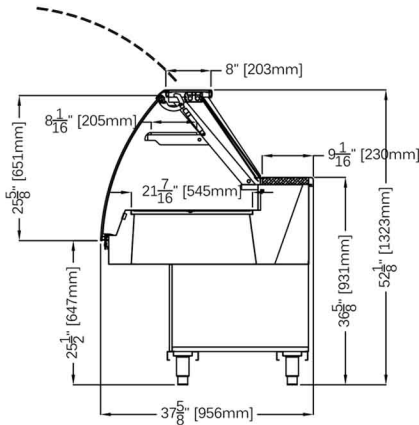


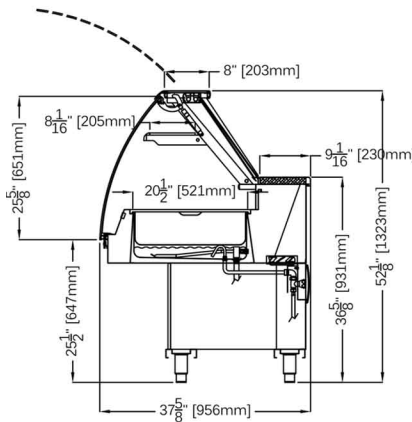
CLASSIC

Hot Showcase

CS (DRY)



CBM (BAIN MARIE)



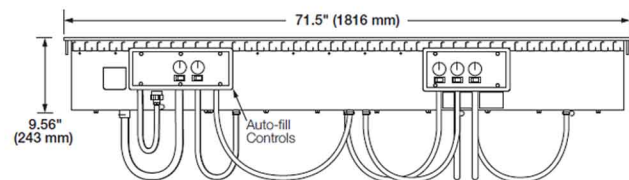
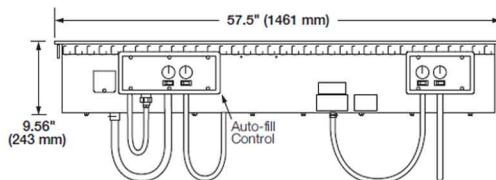
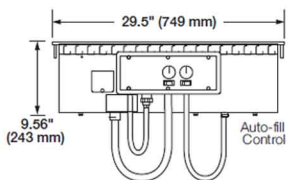
STANDARD FEATURES

- Stainless steel insulated body with tubular painted galvanized chassis
- Silver trim finish
- Lift up hydraulic front glass
- LED lighting
- Plexiglass sliding doors
- Stainless steel work bench
- CS: dry warm top on stainless steel basin
- CBM: hot well food warmer
- CBM: each well has its own individual control to regulate the temperature
- Cases ship standard unfinished front and stainless steel skin sides

OPTIONS

- Champagne trim finish
- Stainless steel insert
- Marble/Granite work counter
- RAL color finish/wood laminate
- Matching front cabinetry counters with top glass
- Heated glass shelf with electronic control
- Casters

CBM (BAIN MARIE): SHOWN WITH AUTO-FILL



* Manufacturer reserves the right to change specifications without notice. Not responsible for error and omissions.



361-367 Beach Road, Burlingame, CA 94010
 Tel: 855.885.2400 | 650.342.2400 | Fax: 650.342.7400
 sales@oscartek.com | www.oscartek.com



CLASSIC HOT (CS - DRY)				
TECHNICAL FEATURES		MODELS		
		CLASSIC CCS1000	CLASSIC CCS1500	CLASSIC CCS2000
External Dimensions (L-D-H)	Inches	39 1/2" - 37 3/4" - 52 1/8"	59 1/8" - 37 3/4" - 52 1/8"	78 3/4" - 37 3/4" - 52 1/8"
	MM	1000 - 956 - 1323	1500 - 956 - 1323	2000 - 956 - 1323
Crated Dimensions (L-D-H)	Inches	44" - 42 1/2" - 57"	65" - 42 1/4" - 57"	84 3/4" - 42 1/4" - 57"
	MM	1100 - 1056 - 1447	1600 - 1056 - 1447	2100 - 1056 - 1447
Power Supply	(V)	220V	220V	220V
Power Consumption	(W)	1550W	2070W	3080W
Operating Temperature	°C / °F	80°C / 177°F	80°C / 177°F	80°C / 177°F
Net Weights	Kg/Lb	155Kgs / 241Lbs	206Kgs / 453Lbs	257Kgs / 565Lbs
Crated Weights	Kg/Lb	170Kgs / 374Lbs	226Kgs / 497Lbs	283Kgs / 622Lbs

NOTE: DIMENSIONS ARE WITHOUT SIDE PANELS

CLASSIC HOT (CBM - BAIN MARIE)				
TECHNICAL FEATURES		MODELS		
		CLASSIC CCBM1000	CLASSIC CCBM1500	CLASSIC CCBM2000
External Dimensions (L-D-H)	Inches	39 1/2" - 37 3/4" - 52 1/8"	59 1/8" - 37 3/4" - 52 1/8"	78 3/4" - 37 3/4" - 52 1/8"
	MM	1000 - 956 - 1323	1500 - 956 - 1323	2000 - 956 - 1323
Crated Dimensions (L-D-H)	Inches	44" - 42 1/2" - 57"	65" - 42 1/4" - 57"	84 3/4" - 42 1/4" - 57"
	MM	1100 - 1056 - 1447	1600 - 1056 - 1447	2100 - 1056 - 1447
Number of Wells (CBM) *	#	2	4	5
Power Supply **	(V/A)	208-220V / 12A	208-220V / 23A	208-220V / 29A
Power Consumption	(W)	2400W	4850W	6020W
Drain	--	3/4" Drain / 1" Manifold	3/4" Drain / 1" Manifold	3/4" Drain / 1" Manifold
Water Supply ***	--	1/4"	1/4"	1/4"
Net Weights	Kg/Lb	155Kgs / 241Lbs	206Kgs / 453Lbs	257Kgs / 565Lbs
Crated Weights	Kg/Lb	170Kgs / 374Lbs	226Kgs / 497Lbs	283Kgs / 622Lbs

NOTE: DIMENSIONS ARE WITHOUT SIDE PANELS * FLOOR SINK IS REQUIRED FOR WET APPLICATION

**** AVAILABLE IN 3 PHASE CONFIGURATION**

***** AUTO FILL OPTION**

* Manufacturer reserves the right to change specifications without notice. Not responsible for error and omissions.



361-367 Beach Road, Burlingame, CA 94010
 Tel: 855.885.2400 | 650.342.2400 | Fax: 650.342.7400
 sales@oscartek.com | www.oscartek.com

