

# MURO H12

# Self Serve Air Screen Refrigeration Showcase

## STANDARD FEATURES

- Double pane side glass ends
- LED lighting on each shelf
- Dixell digital control
- Self contained
- Remote (model A90X only)
- Stainless steel foam in place bottom and top
- Adjustable feet
- Case ship standard white HPL finish



## OPTIONS

- Curved profile matches curved case models
- Stainless steel side panels in lieu of glass
- Model A90X - self contained
- Roll down locking shutter
- Shelf fence for inclined position
- Epoxy RAL color interior
- Remote air cooled or water cooled
- RAL color/laminate front and side panels
- Condensate pan
- Casters



MURO H12 SELF SERVE					
TECHNICAL FEATURES		MODELS			
		MURO H12 1000	MURO H12 1300	MURO H12 1500	MURO H12 1700
External Dimensions (L-D-H)	Inches	39 3/8" - 35 3/8" - 47 1/4"	51 3/16" - 35 3/8" - 47 1/4"	59 1/16" - 35 3/8" - 47 1/4"	66 15/16" - 35 3/8" - 47 1/4"
	Inches-MM	1000 - 898 - 1200	1300 - 898 - 1200	1500 - 898 - 1200	1700 - 898 - 1200
Crated Dimensions (L-D-H)	Inches	46" - 41" - 53"	57" - 41" - 53"	66" - 41" - 53"	73" - 41" - 53"
	Inches-MM	1168 - 1041 - 1346	1447 - 1041 - 1346	1676 - 1041 - 1346	1854 - 1041 - 1346
BTU's @ +14°F Evap					
Temperature	BTU'S	4200 BTU'S	6222 BTU'S	6720 BTU'S	7225 BTU'S
Power Supply	(V/Ph/Hz)	220/1/60	220/1/60	220/1/60	220/1/60
Amperage	(A)	4A	6A	7A	15A
Operating Temperature	°F	+15°F	+15°F	+15°F	+15°F
Net Weights	Kg/Lb	130Kgs / 286Lbs	200Kgs / 440Lbs	240Kgs / 528Lbs	279Kgs / 616Lbs
Crated Weights	Kg/Lb	145Kgs / 319Lbs	220Kgs / 484Lbs	255Kgs / 561Lbs	289Kgs / 638Lbs

\* DIMENSIONS ARE WITHOUT SIDE PANELS \* REMOTE APPLICATION - CONDENSING UNIT SOLD SEPERATELY \* FLOOR SINK RECOMMENDED ON THESE MODELS

MURO H12 SELF SERVE					
TECHNICAL FEATURES		MODELS			
		MURO H12 2000	MURO H12 A30	MURO H12 A90	MURO H12 A90X
External Dimensions (L-D-H)	Inches	78 3/4" - 35 3/8" - 47 1/4"	64 11/16" - 35 3/8" - 47 1/4"	64 15/16" - 35 3/8" - 47 1/4"	70 13/16" - 35 3/8" - 47 1/4"
	Inches-MM	2000 - 898 - 1200	1643 - 898 - 1200	1650 - 898 - 1200	1798 - 898 - 1200
Crated Dimensions (L-D-H)	Inches	84" - 41" - 53"	70" - 41" - 53"	70" - 41" - 53"	77" - 41" - 53"
	Inches-MM	2133 - 1041 - 1346	1778 - 1041 - 1346	1778 - 1041 - 1346	1955 - 1041 - 1346
BTU's @ +14°F Evap					
Temperature	BTU'S	8820 BTU'S	6720 BTU'S	8950 BTU'S	12,600 BTU'S
Power Supply	(V/Ph/Hz)	220/1/60	220/1/60	220/1/60	220/1/60
Amperage	(A)	16A	15A	17A	2A
Operating Temperature	°F	+15°F	+15°F	+15°F	+15°F
Net Weights	Kg/Lb	300Kgs / 660Lbs	240Kgs / 528Lbs	300Kgs / 660Lbs	344Kgs / 760Lbs
Crated Weights	Kg/Lb	330Kgs / 726Lbs	255Kgs / 561Lbs	330Kgs / 726Lbs	374Kgs / 826Lbs

\* DIMENSIONS ARE WITHOUT SIDE PANELS \* REMOTE APPLICATION - CONDENSING UNIT SOLD SEPERATELY \* FLOOR SINK RECOMMENDED ON THESE MODELS

\* Manufacturer reserves the right to change specifications without notice. Not responsible for error and omissions.



361-367 Beach Road, Burlingame, CA 94010  
 Tel: 855.885.2400 | 650.342.2400 | Fax: 650.342.7400  
 sales@oscartek.com | www.oscartek.com



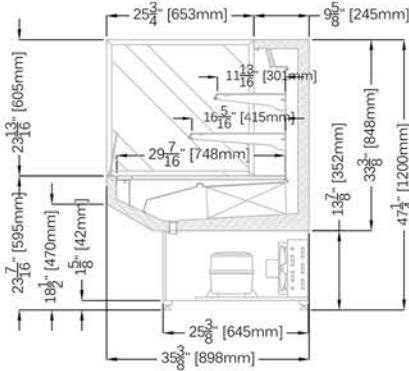
# MURO H12

# Self Serve Air Screen Refrigeration Showcase

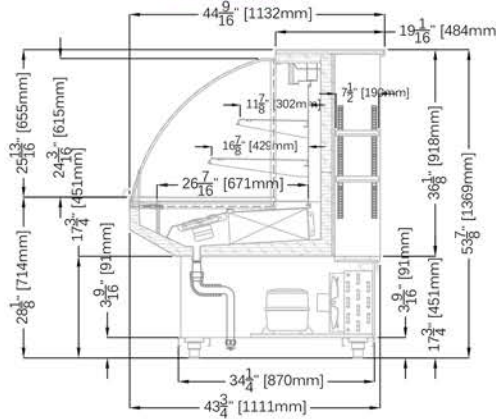
## MURO SQUARE PROFILE MATCHES WITH SQUARE CASE MODELS

## OPTION: CURVE PROFILE MATCHES CURVED CASE MODELS

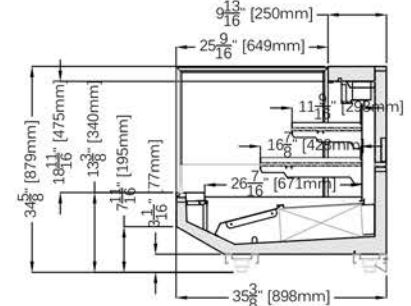
### SQ TYPE



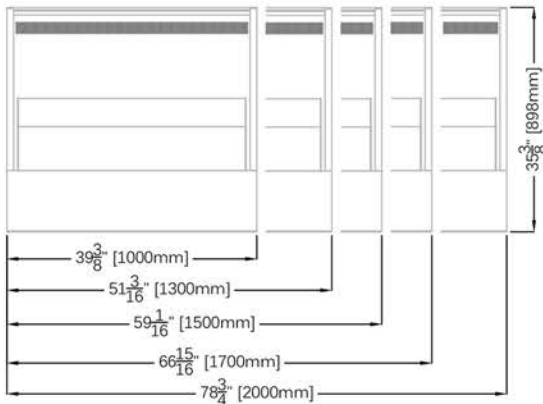
### CU TYPE



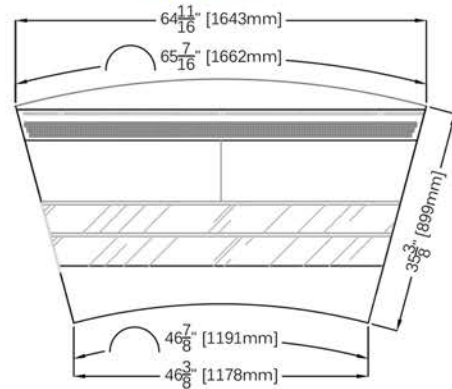
### SECTION VIEW GNG A90X



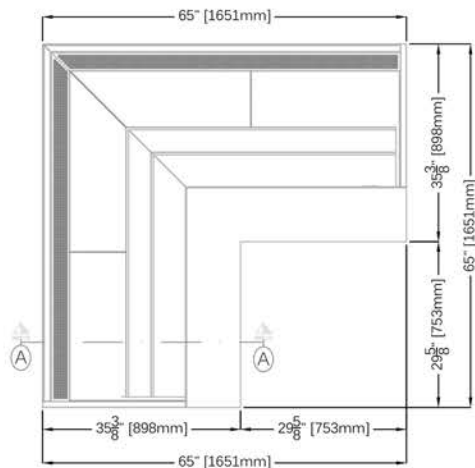
## PLAN VIEWS:



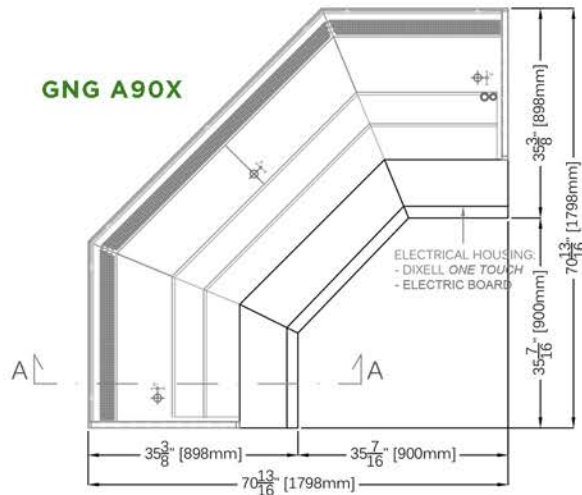
### GNG A30



### GNG A90



### GNG A90X



\* Manufacturer reserves the right to change specifications without notice. Not responsible for error and omissions.



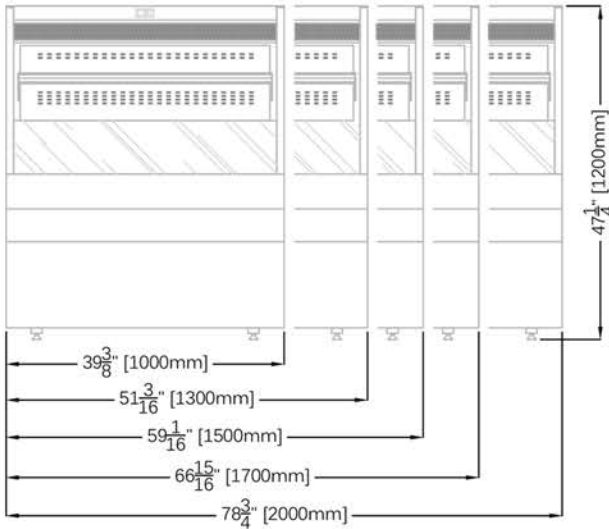
361-367 Beach Road, Burlingame, CA 94010  
 Tel: 855.885.2400 | 650.342.2400 | Fax: 650.342.7400  
 sales@oscartek.com | www.oscartek.com



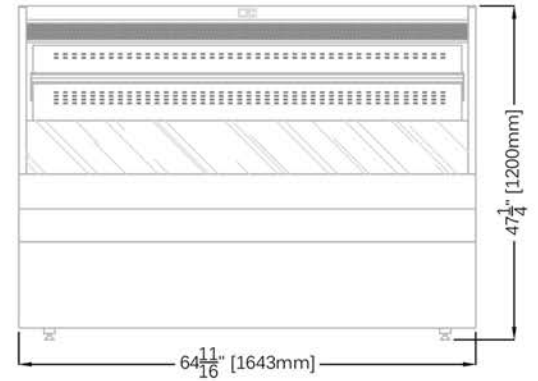
# MURO H12

# Self Serve Air Screen Refrigeration Showcase

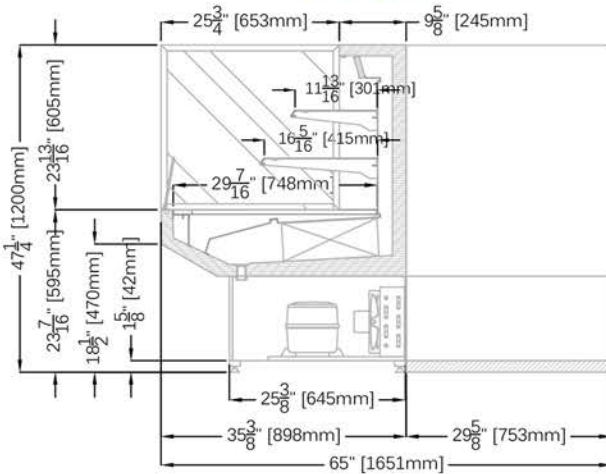
## FRONT ELEVATIONS (CUSTOMER SIDE):



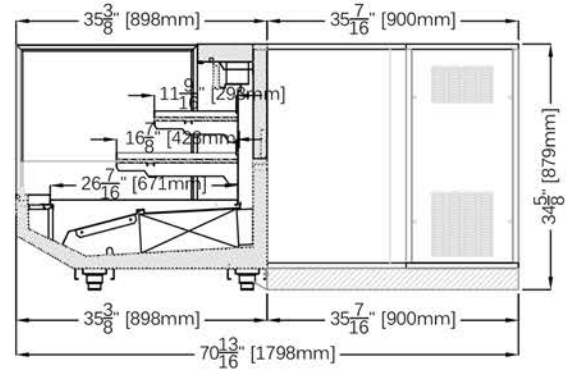
## GNG A30



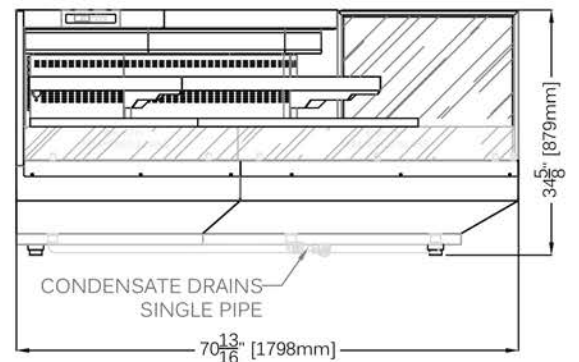
## SECTION A-A GNG A90



## SECTION A-A GNG A90X



## FRONT ELEVATION (CUSTOMER SIDE) GNG A90X



\* Manufacturer reserves the right to change specifications without notice. Not responsible for error and omissions.



361-367 Beach Road, Burlingame, CA 94010  
 Tel: 855.885.2400 | 650.342.2400 | Fax: 650.342.7400  
 sales@oscartek.com | www.oscartek.com

