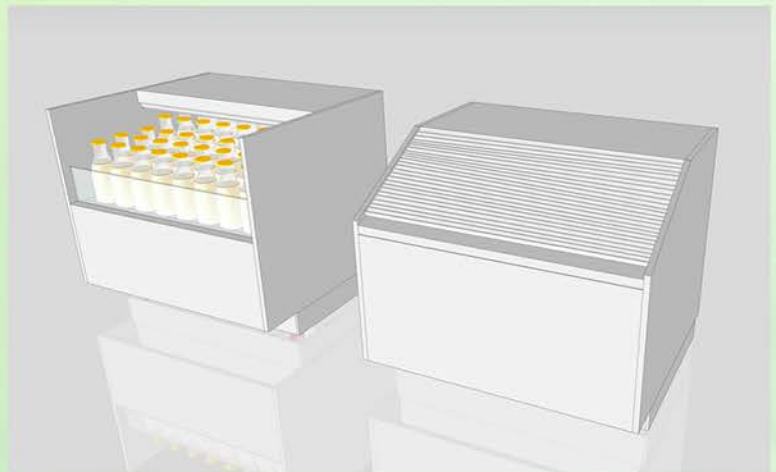
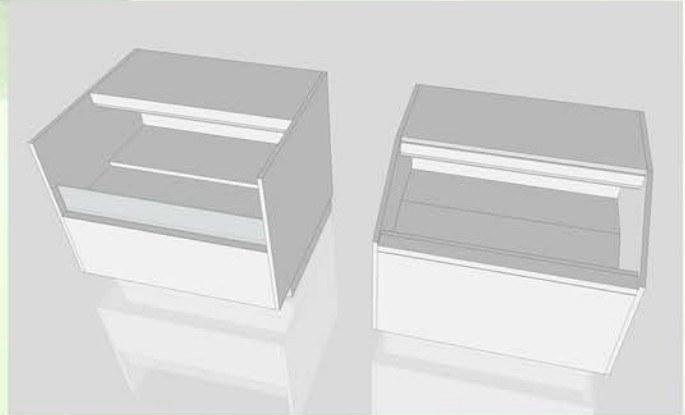


Muro Optima

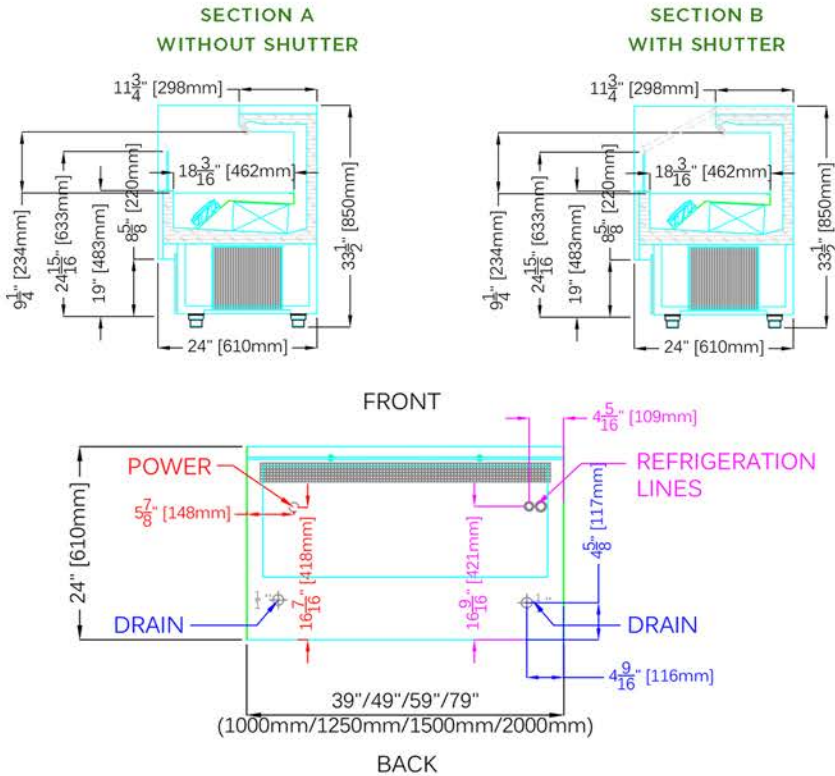


361-367 Beach Road, Burlingame, CA 94010
Tel: 855.885.2400 | 650.342.2400 | Fax: 650.342.7400
sales@oscartek.com | www.oscartek.com



MURO OPTIMA D24

Self Serve Air Screen Refrigeration Showcase



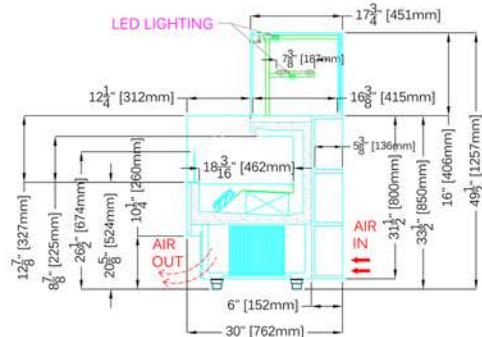
STANDARD FEATURES

- Double pane side glass ends
- Dixell digital control
- Bottom evaporator ventilation cooling
- Stainless steel foam in place bottom and top
- Adjustable feet
- Roll down night curtain
- Cases ship standard stainless steel interior and exterior

OPTIONS

- Top glass
- Stainless steel side panels in lieu of glass
- Black/white interior
- Remote/water cooled condensing unit
- RAL color/laminate front and side panels
- Condensate pan
- Casters

OPTIONAL: TOP GLASS



MURO OPTIMA D24 SELF SERVE					
TECHNICAL FEATURES		MODELS			
		MURO OPTIMA D24 1000	MURO OPTIMA D24 1250	MURO OPTIMA D24 1500	MURO OPTIMA D24 2000
External Dimensions (L-D-H)	Inches	39 3/8" - 24" - 33 1/2"	49 3/16" - 24" - 33 1/2"	59 1/16" - 24" - 33 1/2"	78 3/4" - 24" - 33 1/2"
	Inches-MM	1000 - 610 - 850	1250 - 610 - 850	1500 - 610 - 850	2000 - 610 - 850
Crated Dimensions (L-D-H)	Inches	46" - 30" - 40"	55" - 30" - 40"	66" - 30" - 40"	84" - 30" - 40"
	Inches-MM	1168 - 762 - 1016	1397 - 762 - 1016	1676 - 762 - 1016	2133 - 762 - 1016
BTU's @ +14°F Evap Temperature	BTU'S	2600 BTU'S	3320 BTU'S	3650 BTU'S	4220 BTU'S
Power Supply	(V/Hz)	220V/60Hz	220V/60Hz	220V/60Hz	220V/60Hz
Amperage	(A)	4A	6A	7A	8.5A
Operating Temperature	°F	40°F	40°F	40°F	40°F
Net Weights	Kg/Lb	130Kgs / 286Lbs	200Kgs / 440Lbs	240Kgs / 528Lbs	300Kgs / 660Lbs
Crated Weights	Kg/Lb	145Kgs / 319Lbs	220Kgs / 484Lbs	255Kgs / 561Lbs	330Kgs / 726Lbs

* 85°F Ambient and 55% Relative humidity

* Floor sink recommended on these models

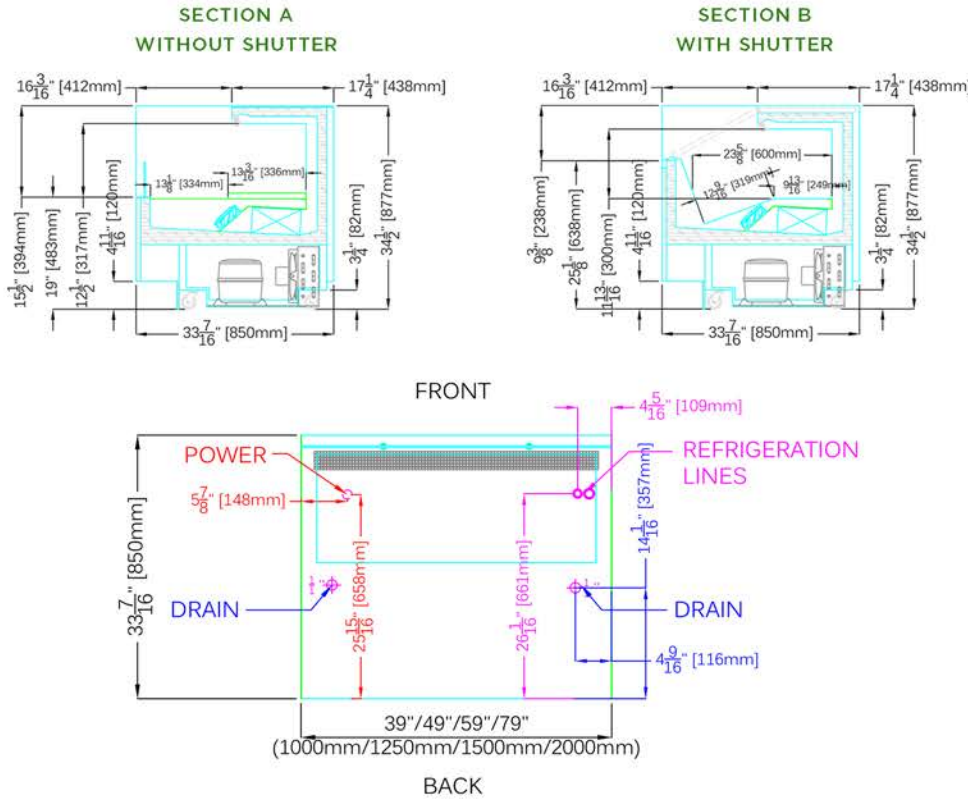


361-367 Beach Road, Burlingame, CA 94010
 Tel: 855.885.2400 | 650.342.2400 | Fax: 650.342.7400
 sales@oscartek.com | www.oscartek.com

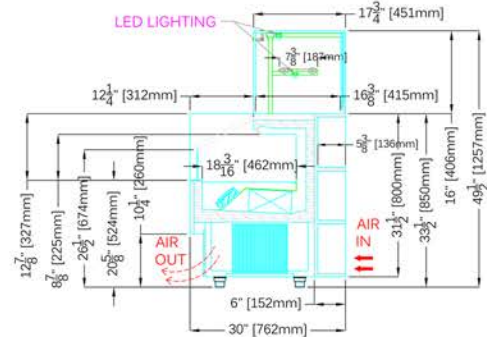


MURO OPTIMA D34

Self Serve Air Screen Refrigeration Showcase



OPTIONAL: TOP GLASS



STANDARD FEATURES

- Double pane side glass ends
- Dixell digital control
- Bottom evaporator ventilation cooling
- Stainless steel foam in place bottom and top
- Adjustable feet
- Roll down night curtain
- Cases ship standard stainless steel interior and exterior

OPTIONS

- Top glass
- Stainless steel side panels in lieu of glass
- Black/white interior
- Remote/water cooled condensing unit
- RAL color/laminate front and side panels
- Condensate pan
- Casters

MURO OPTIMA D34 SELF SERVE					
TECHNICAL FEATURES		MODELS			
		MURO OPTIMA D34 1000	MURO OPTIMA D34 1250	MURO OPTIMA D34 1500	MURO OPTIMA D34 2000
External Dimensions (L-D-H)	Inches	39 3/8" - 33 7/16" - 34 1/2"	49 3/16" - 33 7/16" - 34 1/2"	59 1/16" - 33 7/16" - 34 1/2"	78 3/4" - 33 7/16" - 34 1/2"
	Inches-MM	1000 - 850 - 877	1250 - 850 - 877	1500 - 850 - 877	2000 - 850 - 877
Crated Dimensions (L-D-H)	Inches	46" - 39" - 40"	55" - 39" - 40"	66" - 39" - 40"	84" - 39" - 40"
	Inches-MM	1168 - 990 - 1016	1397 - 990 - 1016	1676 - 990 - 1016	2133 - 990 - 1016
BTU's @ +14°F Evap Temperature	BTU'S	2990 BTU'S	3818 BTU'S	4197 BTU'S	4853 BTU'S
Power Supply	(V/Hz)	220V/60Hz	220V/60Hz	220V/60Hz	220V/60Hz
Amperage	(A)	4A	6A	7A	8.5A
Operating Temperature	°F	40°F	40°F	40°F	40°F
Net Weights	Kg/Lb	130Kgs / 286Lbs	200Kgs / 440Lbs	240Kgs / 528Lbs	300Kgs / 660Lbs
Crated Weights	Kg/Lb	145Kgs / 319Lbs	220Kgs / 484Lbs	255Kgs / 561Lbs	330Kgs / 726Lbs

* 85°F Ambient and 55% Relative humidity

* Floor sink recommended on these models



361-367 Beach Road, Burlingame, CA 94010
 Tel: 855.885.2400 | 650.342.2400 | Fax: 650.342.7400
 sales@oscartek.com | www.oscartek.com

