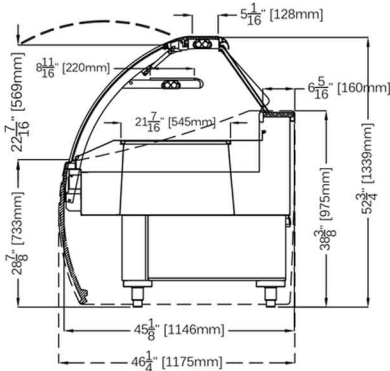
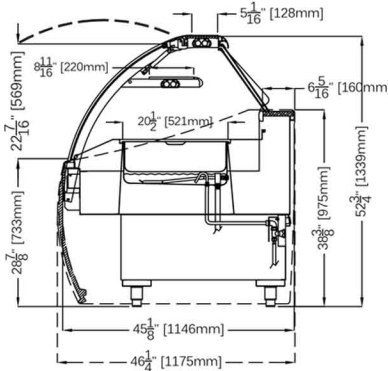


CS (DRY)



CBM (BAIN MARIE)



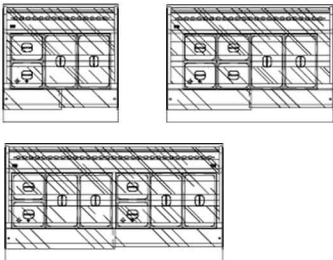
STANDARD FEATURE

- LED lighting on each shelf
- CS: dry warm top on stainless steel basin
- CBM: hot well food warmer
- Cases ship standard unfinished

OPTIONS

- Flat or round front/side panels
- Heated glass shelf with digital control
- RAL color/laminate front and side panels
- Casters

CBM (BAIN MARIE) LAYOUTS:



		CORA HOT (CS-DRY)		
TECHNICAL FEATURES		CORA CS-DRY		
		CORA CS1110	CORA CS1610	CORA CS2106
External Dimensions (L-D-H)	Inches	*43 11/16 - 45 1/8" - 52 3/4"	*63 3/8" - 45 1/8" - 52 3/4"	*82 15/16" - 45 1/8" - 52 3/4"
	Inches-MM	*1110 - 1146 - 1339	*1610 - 1146 - 1339	*2106 - 1146 - 1339
Crated Dimensions (L-D-H)	Inches	50 1/8" - 53 1/8" - 63"	70 7/8" - 53 1/8" - 63"	89 1/2" - 53 1/8" - 63"
	Inches-MM	1273 - 1350 - 1600	1800 - 1350 - 1600	2273 - 1350 - 1600
Power Supply**	(V/PH/HZ)	208-220V/1Ph/60Hz (2)	208-220V/1Ph/60Hz (2)	208-220V/1Ph/60Hz (2)
Power Amps	HEAT LAMP (V/A)	208-220V/2.5A	208-220V/3.5A	208-220V/4A
Direct Connection**	HOT PLATE (V/A)	120V/6.7A - NEMA 5-15P	120V/9.3A - NEMA 5-15P	120V/12A - NEMA 5-15P
Operating Temperature	°C / °F	80°C / 177°F	80°C / 177°F	80°C / 177°F
Net Weights	Kg/Lb	104Kgs / 239Lbs	144Kgs / 331Lbs	188Kgs / 432Lbs
Crated Weights	Kg/Lb	124Kgs / 285Lbs	170Kgs / 391Lbs	205Kgs / 470Lbs

* DIMENSIONS ARE WITHOUT SIDE PANELS ** REQUIRES 2 INDEPENDENT POWER SUPPLY

		CORA HOT (CBM-BAIN MARIE)		
TECHNICAL FEATURES		CORA CBM-BAIN MARIE		
		CORA CBM1110	CORA CBM1610	CORA CBM2106
External Dimensions (L-D-H)	Inches	*43 11/16 - 45 1/8" - 52 3/4"	*63 3/8" - 45 1/8" - 52 3/4"	*82 15/16" - 45 1/8" - 52 3/4"
	Inches-MM	*1110 - 1146 - 1339	*1610 - 1146 - 1339	*2106 - 1146 - 1339
Crated Dimensions (L-D-H)	Inches	50 1/8" - 53 1/8" - 63"	70 7/8" - 53 1/8" - 63"	89 1/2" - 53 1/8" - 63"
	Inches-MM	1273 - 1350 - 1600	1800 - 1350 - 1600	2273 - 1350 - 1600
Power Supply**	(V/PH/HZ)	208-220V/1Ph/60Hz (2)	208-220V/1Ph/60Hz (2)	208-220V/1Ph/60Hz (2)
Power Amps	HEAT LAMP (V/A)	208-220V/2.5A	208-220V/3.5A	208-220V/4A
Direct Connection**	BAIN MARIE (V/A)	208-220V/11.6 A	208-220V/17.4A	208-220V/20.1A
Operating Temperature	°C / °F	80°C / 177°F	80°C / 177°F	80°C / 177°F
Net Weights	Kg/Lb	104Kgs / 239Lbs	144Kgs / 331Lbs	188Kgs / 432Lbs
Crated Weights	Kg/Lb	124Kgs / 285Lbs	170Kgs / 391Lbs	205Kgs / 470Lbs

* DIMENSIONS ARE WITHOUT SIDE PANELS ** REQUIRES 2 INDEPENDENT POWER SUPPLY

NOTE: CBM-BAIN MARIE: DRAIN SIZE FOR INDIVIDUAL WELL 3/4"



361-367 Beach Road, Burlingame, CA 94010
 Tel: 855.885.2400 | 650.342.2400 | Fax: 650.342.7400
 sales@oscartek.com | www.oscartek.com

