



Discover the Art of Display...

Project Name: \_\_\_\_\_  
Item #: \_\_\_\_\_ Quantity: \_\_\_\_\_

# GEM CHOCOLATE

**MODELS:** GEM C900, GEM C1300, GEM C1500, GEM C1700, GEM C2100, GEM CA90SQ

## STANDARD FEATURES

- Glass drawers
- Diffused LED light 3000°K
- Extra clear tempered glass
- Fully insulated stainless steel interior
- Galvanized chassis structure
- Humidity control
- Case ship standard unfinished front with polished stainless steel sides



Photo shown with optional white finish. Standard cases are unfinished front and stainless steel sides.



Visit our website for more finishing options and RAL colors  
[www.oscartek.com](http://www.oscartek.com)

## OPTIONS

- Lift up top glass
- Narrow depth – 27 1/4”D
- Cold storage
- Customized color display plate (back painted glass)
- Remote condensing unit
- RAL color/laminate front and side panels
- Unfinished panels to accept custom millwork by others
- Heated pan for evaporator
- Casters



Photo shown with drawer sliding out

\*Oscartek reserves the right to change, modify, discontinue, or change any features, sizes, or capacity on any model without prior notice.

OSCARTEK®  
512 South Airport Blvd., South San Francisco, CA 94080  
Tel: 650.342.2400 | Fax: 650.342.7400  
[www.oscartek.com](http://www.oscartek.com)

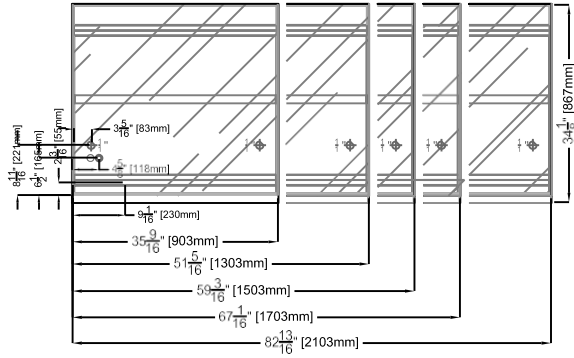


# GEM CHOCOLATE

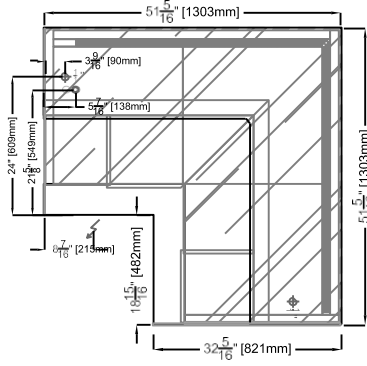
MODELS: GEM C900, GEM C1300, GEM C1500, GEM C1700, GEM C2100, GEM CA90SQ

## PLAN VIEWS

**GEM CHOCOLATE LINEAR MODELS**

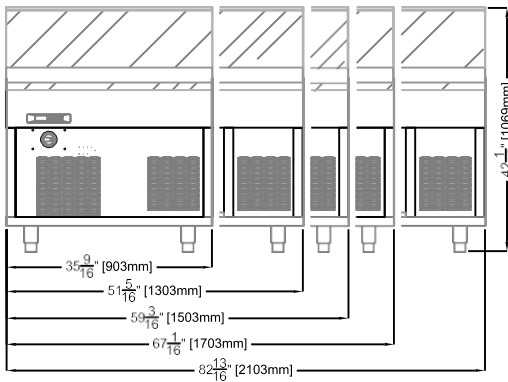


**GEM CA90SQ**

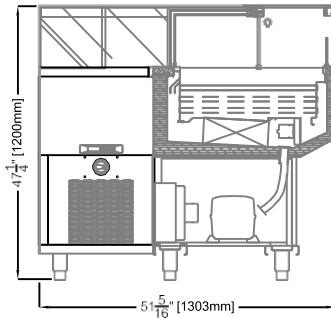


## REAR ELEVATIONS (OPERATOR SIDE): SHOWN WITH OPTIONAL REAR BREATHING ON LINEAR MODELS

**GEM CHOCOLATE LINEAR MODELS**



**GEM CA90SQ**



### ELECTRICAL LEGEND

∞	REFRIGERATION LINES
⊕ 1"	DRAIN
⚡	POWER

\*Oscartek reserves the right to change, modify, discontinue, or change any features, sizes, or capacity on any model without prior notice.



Discover the Art of Display...

Project Name: \_\_\_\_\_

Item #: \_\_\_\_\_ Quantity: \_\_\_\_\_

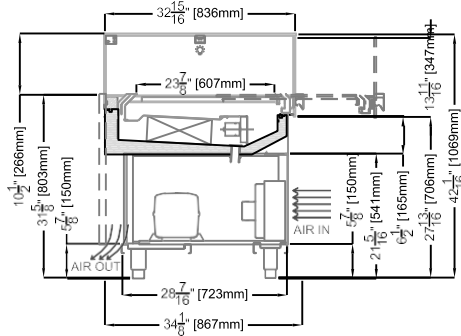
# GEM CHOCOLATE

MODELS: GEM C900, GEM C1300, GEM C1500, GEM C1700, GEM C2100, GEM CA90SQ

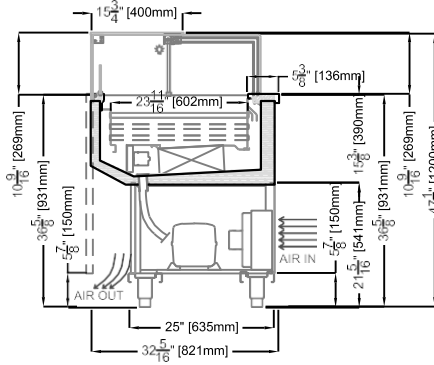
## SECTION VIEWS

### STANDARD

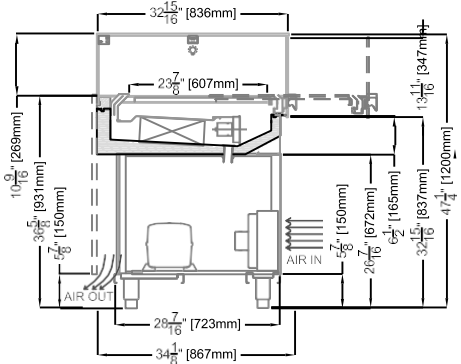
ALL MODELS EXCEPT FOR GEM CA90SQ



GEM CA90SQ

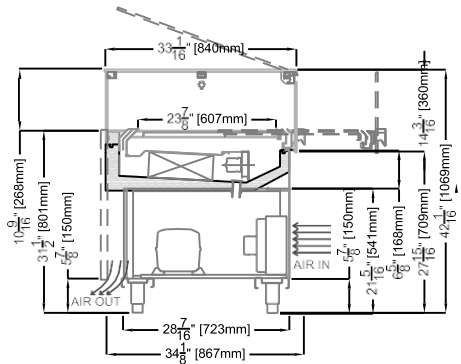


ALL MODELS TO MATCH WITH GEM CA90SQ

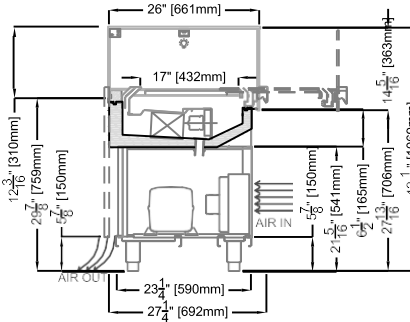


### OPTIONAL

GEM – LIFT UP TOP GLASS



GEM NARROW – 27 1/4"D



\*Oscartek reserves the right to change, modify, discontinue, or change any features, sizes, or capacity on any model without prior notice.

OSCARTEK®  
512 South Airport Blvd., South San Francisco, CA 94080  
Tel: 650.342.2400 | Fax: 650.342.7400  
www.oscartek.com





Project Name: \_\_\_\_\_  
 Item #: \_\_\_\_\_ Quantity: \_\_\_\_\_

## GEM CHOCOLATE

MODELS: GEM C900, GEM C1300, GEM C1500, GEM C1700, GEM C2100, GEM CA90SQ

GEM CHOCOLATE				
TECHNICAL FEATURES		MODELS		
		GEM C900	GEM C1300	GEM C1500
External Dimensions (L-D-H) Inches-MM	Inches MM	*35 9/16" - 34 1/8" - 42 1/16" *903 - 867 - 1069	*51 5/16" - 34 1/8" - 42 1/16" *1303 - 867 - 1069	*59 3/16" - 34 1/8" - 42 1/16" *1503 - 867 - 1069
Crated Dimensions (L-D-H) Inches-MM	Inches MM	43" - 41" - 58" 1092- 1041 - 1473	59" - 41" - 58" 1500 - 1041 - 1473	67" - 41" - 58" 1700 - 1041 - 1473
Humidity Control	Type	35-70%	35-70%	35-70%
Refrigeration	Type	Ventilated	Ventilated	Ventilated
Refrigeration Display Area	Type	Deck	Deck	Deck
Operating Temperature	°F	57.2°F	57.2°F	57.2°F
Compressor	Nr./Type	1 / Hermetic	1 / Hermetic	1 / Hermetic
BTU'S @ +35°F Evap Temperature	BTU's	1900	2700	3100
Electric Supply	(V/Ph/Hz)	208-220/1/60	208-220/1/60	208-220/1/60
Power Consumption	(W/A)	690/6.4	800/7.5	1000/9.2
Defrost	Mode/Type	Air	Air	Air
Climatic Class	°F/H.R.	75°F-55%RH	75°F-55%RH	75°F-55%RH
Refrigerant Gas	Type	R404A / R452A	R404A / R452A	R404A / R452A
Pipe Size (Inches)	Suction, Liquid	3/8" Suction, 1/4" Liquid	1/2" Suction, 1/4" Liquid	1/2" Suction, 1/4" Liquid
Net Weights	Lb	230	280	330
Crated Weights	Lb	445	495	545
<b>*DIMENSIONS ARE WITH POLISHED S/S SIDES</b>				

\*Oscartek reserves the right to change, modify, discontinue, or change any features, sizes, or capacity on any model without prior notice.

OSCARTEK®  
 512 South Airport Blvd., South San Francisco, CA 94080  
 Tel: 650.342.2400 | Fax: 650.342.7400  
 www.oscartek.com





Project Name: \_\_\_\_\_  
 Item #: \_\_\_\_\_ Quantity: \_\_\_\_\_

## GEM CHOCOLATE

MODELS: GEM C900, GEM C1300, GEM C1500, GEM C1700, GEM C2100, GEM CA90SQ

GEM CHOCOLATE				
TECHNICAL FEATURES		MODELS		
		GEM C1700	GEM C2100	GEM CA90SQ
External Dimensions (L-D-H) Inches-MM	Inches MM	*67 1/16" - 34 1/8" - 42 1/16" *1703 - 867 - 1069	*82 13/16" - 34 1/8" - 42 1/16" *2103 - 867 - 1069	*51 5/16" - 32 5/16" - 47 1/4" *1303 - 821 - 1200
Crated Dimensions (L-D-H) Inches-MM	Inches MM	73" - 41" - 58" 1854 - 1041 - 1473	88" - 41" - 58" 2235 - 1041 - 1473	58" - 58" - 58" 1397 - 1397 - 1397
Humidity Control	Type	35-70%	35-70%	35-70%
Refrigeration	Type	Ventilated	Ventilated	Ventilated
Refrigeration Display Area	Type	Deck	Deck	Deck
Operating Temperature	°F	57.2°F	57.2°F	57.2°F
Compressor	Nr./Type	1 / Hermetic	1 / Hermetic	1 / Hermetic
BTU'S @ +35°F Evap Temperature	BTU's	3500	3800	3900
Electric Supply	(V/Ph/Hz)	208-220/1/60	208-220/1/60	208-220/1/60
Power Consumption	(W/A)	1100/10.4	1300/12.3	1150/10.9
Defrost	Mode/Type	Air	Air	Air
Climatic Class	°F/H.R.	75°F-55%RH	75°F-55%RH	75°F-55%RH
Refrigerant Gas	Type	R404A / R452A	R404A / R452A	R404A / R452A
Pipe Size (Inches)	Suction, Liquid	5/8" Suction, 5/16" Liquid	5/8" Suction, 5/16" Liquid	1/2" Suction, 1/4" Liquid
Net Weights	Lb	340	380	410
Crated Weights	Lb	595	695	665
<b>*DIMENSIONS ARE WITH POLISHED S/S SIDES</b>				

\*Oscartek reserves the right to change, modify, discontinue, or change any features, sizes, or capacity on any model without prior notice.

OSCARTEK®  
 512 South Airport Blvd., South San Francisco, CA 94080  
 Tel: 650.342.2400 | Fax: 650.342.7400  
 www.oscartek.com

