

# ITALIA 1-2-3

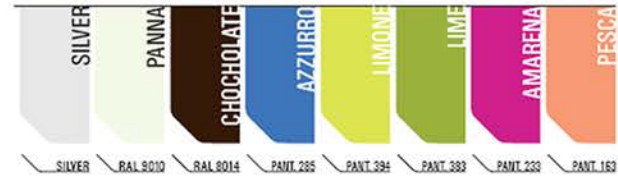
# Neutral Showcase (SINGLE PANE)

## STANDARD FEATURES

- Perfect visibility on all 4 sides
- Front, top and side single pane glasses
- LED lighting system
- Three heights available: 45"H, 49"H, and 53"H
- Sliding double pane doors closure on operator side
- Cases ship standard unfinished

## OPTIONS

- Front access double doors
- Cold storage
- Remote condensing unit
- Decorative front finish
- Matches with Muro H11
- Casters



| ITALIA 1 NEUTRAL (SINGLE PANE) |         |                              |                             |                              |
|--------------------------------|---------|------------------------------|-----------------------------|------------------------------|
| TECHNICAL FEATURES             |         | ITALIA 1                     |                             |                              |
|                                |         | ITALIA 1 NSP900              | ITALIA 1 N1SP200            | ITALIA 1 NSP1500             |
| External Dimensions (L-D-H)    | Inches  | 36 9/16" - 31 1/2" - 45 1/2" | 48 3/8" - 31 1/2" - 45 1/2" | 60 3/16" - 31 1/2" - 45 1/2" |
|                                | MM      | 929 - 800 - 1155             | 1229 - 800 - 1155           | 1529 - 800 - 1155            |
| Crated Dimensions (L-D-H)      | Inches  | 43 3/8" - 38" - 51"          | 55 1/8" - 38" - 51"         | 66 7/8" - 38" - 51"          |
|                                | MM      | 1100 - 965 - 1295            | 1400 - 965 - 1295           | 1700 - 965 - 1295            |
| Operating Temperature          | °C / °F | Ambient                      | Ambient                     | Ambient                      |
| Power Supply                   | (V)     | 120V                         | 120V                        | 120V                         |
| Amperage                       | (A)     | 2A                           | 3A                          | 3.5A                         |
| Net Weights                    | Kg/Lb   | 75Kgs / 165Lbs               | 105Kgs / 231Lbs             | 135Kgs / 297Lbs              |
| Crated Weights                 | Kg/Lb   | 135Kgs / 297Lbs              | 185Kgs / 407Lbs             | 200Kgs / 441Lbs              |

NOTE: DIMENSIONS ARE WITH FRONT & SIDE PANELS

| ITALIA 2 NEUTRAL (SINGLE PANE) |         |                              |                             |                              |
|--------------------------------|---------|------------------------------|-----------------------------|------------------------------|
| TECHNICAL FEATURES             |         | ITALIA 2                     |                             |                              |
|                                |         | ITALIA 2 NSP900              | ITALIA 2 NSP1200            | ITALIA 2 NSP1500             |
| External Dimensions (L-D-H)    | Inches  | 36 9/16" - 31 1/2" - 49 3/8" | 48 3/8" - 31 1/2" - 49 3/8" | 60 3/16" - 31 1/2" - 49 3/8" |
|                                | MM      | 929 - 800 - 1255             | 1229 - 800 - 1255           | 1529 - 800 - 1255            |
| Crated Dimensions (L-D-H)      | Inches  | 43 3/8" - 38" - 56"          | 55 1/8" - 38" - 56"         | 66 7/8" - 38" - 56"          |
|                                | MM      | 1100 - 965 - 1422            | 1400 - 965 - 1422           | 1700 - 965 - 1422            |
| Operating Temperature          | °C / °F | Ambient                      | Ambient                     | Ambient                      |
| Power Supply                   | (V)     | 120V                         | 120V                        | 120V                         |
| Amperage                       | (A)     | 2.5A                         | 3.5A                        | 4A                           |
| Net Weights                    | Kg/Lb   | 90Kgs / 198Lbs               | 125Kgs / 275Lbs             | 155Kgs / 341Lbs              |
| Crated Weights                 | Kg/Lb   | 160Kgs / 352Lbs              | 210Kgs / 463Lbs             | 255Kgs / 562Lbs              |

NOTE: DIMENSIONS ARE WITH FRONT & SIDE PANELS

\* Manufacturer reserves the right to change specifications without notice. Not responsible for error and omissions.



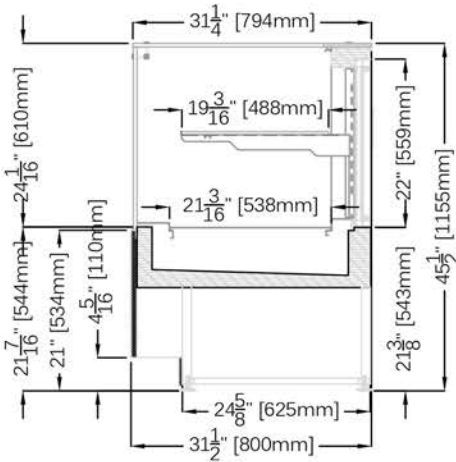
361-367 Beach Road, Burlingame, CA 94010  
 Tel: 855.885.2400 | 650.342.2400 | Fax: 650.342.7400  
 sales@oscartek.com | www.oscartek.com



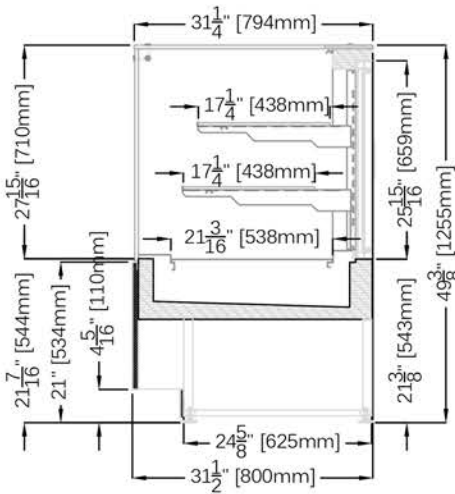
| ITALIA 3 NEUTRAL (SINGLE PANE) |         |                              |                             |                              |
|--------------------------------|---------|------------------------------|-----------------------------|------------------------------|
| TECHNICAL FEATURES             |         | ITALIA 3                     |                             |                              |
|                                |         | ITALIA 3 NSP900              | ITALIA 3 NSP1200            | ITALIA 3 NSP1500             |
| External Dimensions (L-D-H)    | Inches  | 36 9/16" - 31 1/2" - 53 3/8" | 48 3/8" - 31 1/2" - 53 3/8" | 60 3/16" - 31 1/2" - 53 3/8" |
|                                | MM      | 929 - 800 - 1355             | 1229 - 800 - 1355           | 1529 - 800 - 1355            |
| Crated Dimensions (L-D-H)      | Inches  | 43 3/8" - 38" - 59"          | 55 1/8" - 38" - 59"         | 66 7/8" - 38" - 59"          |
|                                | MM      | 1100 - 965 - 1500            | 1400 - 965 - 1500           | 1700 - 965 - 1500            |
| Operating Temperature          | °C / °F | Ambient                      | Ambient                     | Ambient                      |
| Power Supply                   | (V)     | 120V                         | 120V                        | 120V                         |
| Amperage                       | (A)     | 3A                           | 4A                          | 4.5A                         |
| Net Weights                    | Kg/Lb   | 105Kgs / 231Lbs              | 145Kgs / 319Lbs             | 175Kgs / 385Lbs              |
| Crated Weights                 | Kg/Lb   | 177Kgs / 390Lbs              | 235Kgs / 399Lbs             | 285Kgs / 628Lbs              |

NOTE: DIMENSIONS ARE WITH FRONT & SIDE PANELS

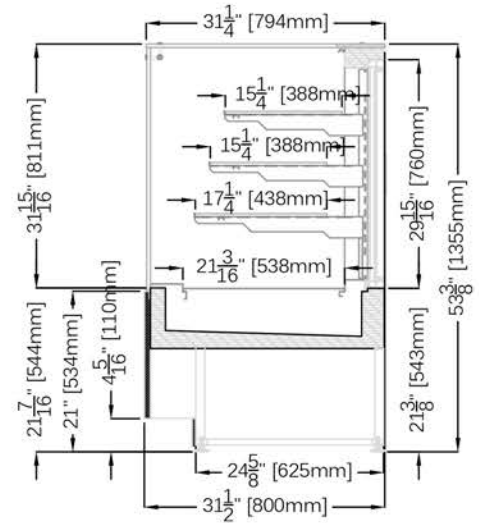
ITALIA 1 - 45 1/2"H



ITALIA 2 - 49 3/8"H

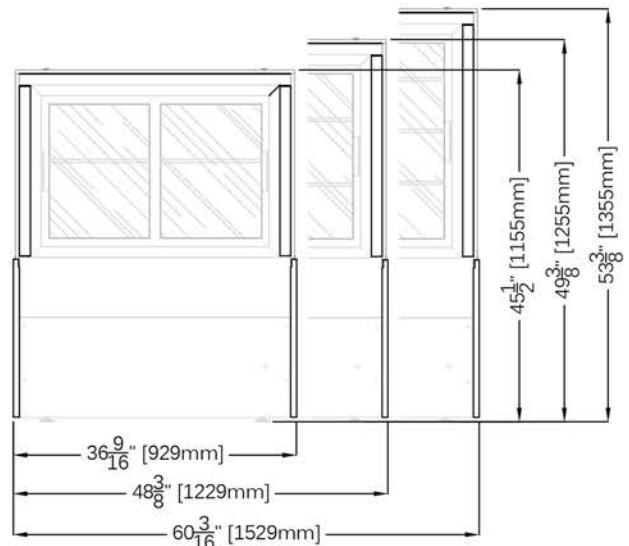
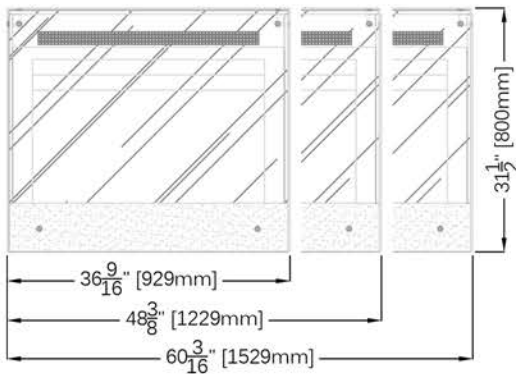


ITALIA 3 - 53 3/8"H



REAR ELEVATIONS (OPERATOR SIDE)

PLAN VIEWS



\* Manufacturer reserves the right to change specifications without notice. Not responsible for error and omissions.



361-367 Beach Road, Burlingame, CA 94010  
 Tel: 855.885.2400 | 650.342.2400 | Fax: 650.342.7400  
 sales@oscartek.com | www.oscartek.com

