



Discover the Art of Display...

Project Name: _____
Item #: _____ Quantity: _____



Muro H78 Freezer shown with optional exterior Black finish

MURO H78 FREEZER Self Serve Showcase

MODELS: MURO H78 FREEZER G700, G1400, G2100

STANDARD FEATURES

- Solid sides
- Dixell digital control
- Diffused 3000°K LED lighting
- Straight or inclined shelves
- Swing doors
- Stainless steel foam in place bottom and top
- Adjustable feet
- Cases ship standard polished stainless steel interior and exterior

OPTIONS

- Joint Kit for multiplexing continuous line up
- Shelf fence for inclined position
- Epoxy RAL color interior and exterior over stainless steel
- RAL color/custom plastic wood laminate exterior front and sides
- Unfinished panels to accept millwork by others
- Condensate evaporator pan with fan
- Casters
- Custom height Chassis modification



Visit our website for more finishing options and RAL colors
www.oscartek.com

*Oscartek reserves the right to change, modify, discontinue, or change any features, sizes, or capacity on any model without prior notice.

OSCARTEK®
512 South Airport Blvd., South San Francisco, CA 94080
Tel: 650.342.2400 | Fax: 650.342.7400
www.oscartek.com





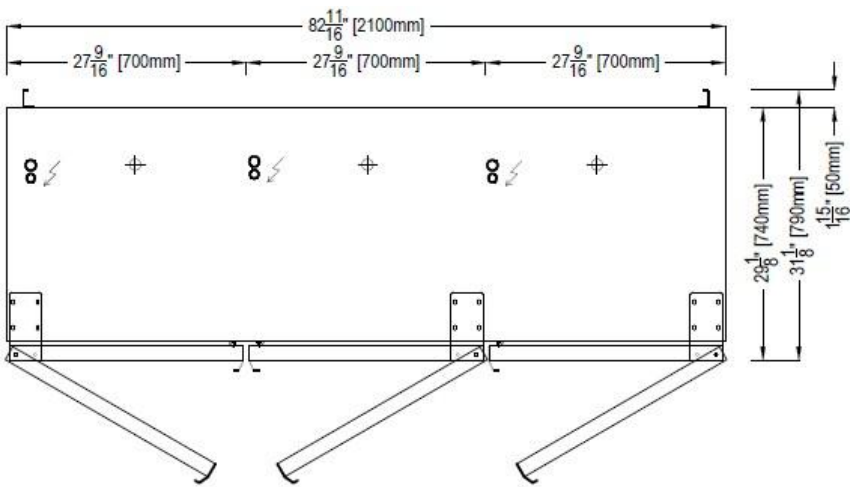
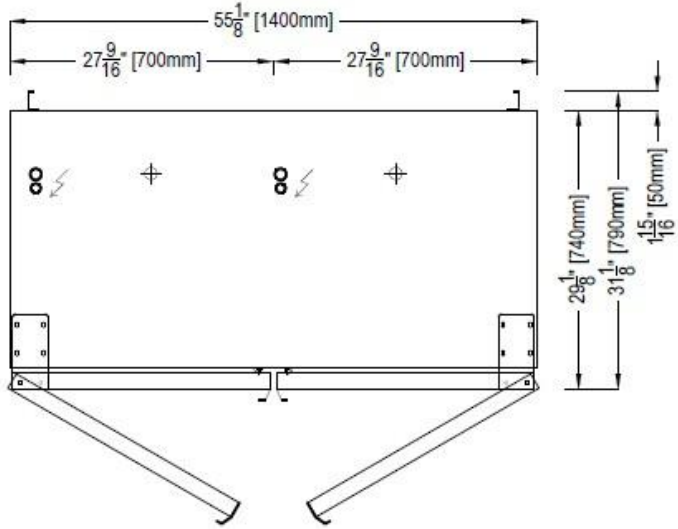
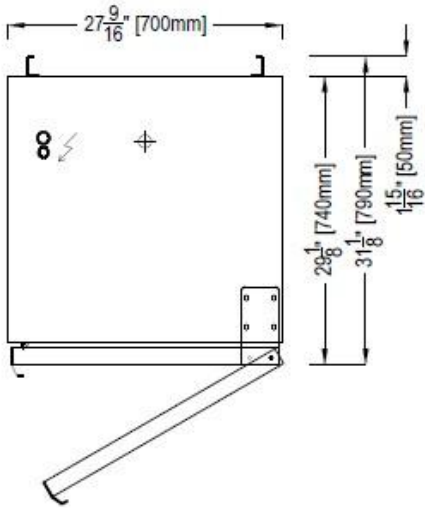
Discover the Art of Display...

Project Name: _____
 Item #: _____ Quantity: _____

MURO H78 FREEZER

MODELS: MURO H78 FREEZER G700, G1400, G2100

MURO H78 FREEZER – SELF CONTAINED PLAN VIEWS



ELECTRICAL LEGEND	
∞	REFRIGERATION LINES
⊕	DRAIN
⚡	POWER

*Oscartek reserves the right to change, modify, discontinue, or change any features, sizes, or capacity on any model without prior notice.

OSCARTEK®
 512 South Airport Blvd., South San Francisco, CA 94080
 Tel: 650.342.2400 | Fax: 650.342.7400
 www.oscartek.com





Project Name: _____
 Item #: _____ Quantity: _____

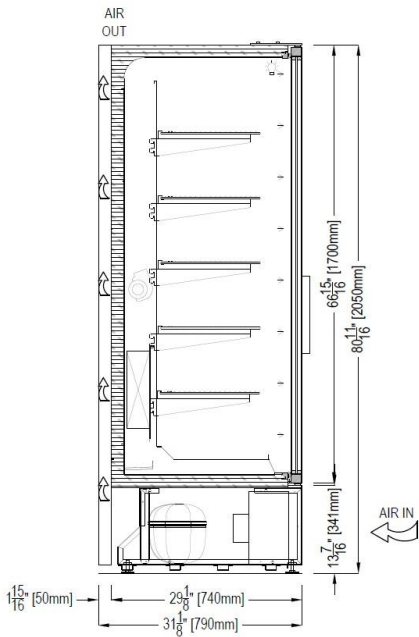
MURO H78 FREEZER

MODELS: MURO H78 FREEZER G700, G1400, G2100

MURO H78 FREEZER – SELF CONTAINED FRONT ELEVATIONS (CUSTOMER/OPERATOR SIDE)



MURO H78 FREEZER – SELF CONTAINED SECTION VIEW



*Oscartek reserves the right to change, modify, discontinue, or change any features, sizes, or capacity on any model without prior notice.

OSCARTEK®
 512 South Airport Blvd., South San Francisco, CA 94080
 Tel: 650.342.2400 | Fax: 650.342.7400
 www.oscartek.com





Project Name: _____
 Item #: _____ Quantity: _____

MURO H78 FREEZER

MODELS: MURO H78 FREEZER G700, G1400, G2100

MURO H78 FREEZER				
TECHNICAL FEATURES		MODELS		
		MURO H78 G700	MURO H78 G1400	MURO H78 G2100
External Dimensions (L-D-H) Inches-MM	Inches MM	27 1/2" - 31 1/8" - 80 3/4" 700 - 790 - 2050	55 1/8" - 31 1/8" - 80 3/4" 1400 - 790 - 2050	82 5/8" - 31 1/8" - 80 3/4" 2100 - 790 - 2050
Crated Dimensions (L-D-H) Inches-MM	Inches MM	34" - 39" - 87" 863 - 990 - 2210	72" - 39" - 87" 1830 - 990 - 2210	89" - 39" - 87" 2260 - 990 - 2210
Operating Temperature	°F	0 / -4°F	0 / -4°F	0 / -4°F
BTU'S @ -36°F Evap Temperature	BTU'S/h	2700	4300	5500
Defrost	Mode	Automatic	Automatic	Automatic
Electric Supply	(V/Ph/Hz)	208-220/1/60	208-220/1/60	208-220/1/60
Power Consumption	(W/A)	1390/6,6	2750/13,1	4100/19,5
Climatic Class	°F/H.R.	75°F - 55%RH	75°F - 55%RH	75°F - 55%RH
Refrigerant Gas	Type	R290	R290	R290
Net Weight	Lbs	630	990	1350
Crated Weight	Lbs	720	1080	1440

*Oscartek reserves the right to change, modify, discontinue, or change any features, sizes, or capacity on any model without prior notice.

OSCARTEK®
 512 South Airport Blvd., South San Francisco, CA 94080
 Tel: 650.342.2400 | Fax: 650.342.7400
 www.oscartek.com

