



Discover the Art of Display...

Project Name: \_\_\_\_\_

Item #: \_\_\_\_\_ Quantity: \_\_\_\_\_

### STANDARD FEATURES

- Remote condensing unit
- Double pane side glass ends
- Dixell digital control
- Diffused 3000°K LED lighting on each shelf and canopy
- Straight or inclined shelves
- Roll down curtain
- Bottom evaporator ventilation cooling
- Stainless steel foam in place bottom and top
- Adjustable feet
- Cases ship standard polished stainless steel interior and exterior

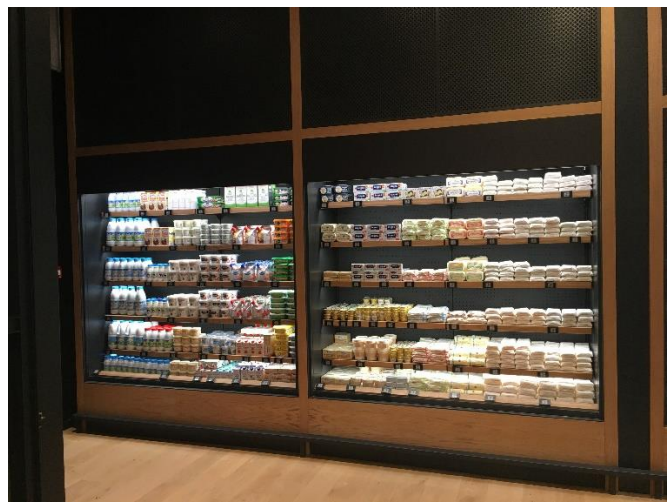
### OPTIONS

- Bottom mount and top mount condensing unit available with sliding glass doors and swing glass doors only
- Remote/water cooled condensing unit
- Solid sides: add 13/16" each side
- Roll down locking shutter with solid sides required: add 1 3/4" each side
- Sliding doors with solid sides required: add 13/16" each side
- Swing doors: available in glass sides and solid sides (add 13/16" each side)
- Joint Kit for multiplexing continuous line up
- Shelf fence for inclined position
- Tempered Glass shelves in lieu of stainless steel
- Epoxy RAL color interior and exterior over stainless steel
- RAL color/custom plastic wood laminate exterior front and sides
- Unfinished panels to accept millwork by others
- Cold or Dry Storage on Remote application
- Condensate evaporator pan with fan
- Casters
- Custom height Chassis modification
- Able to match to Provino wine, charcuterie, and Freezer

# MURO H78 PRO

## Self-Serve Air Screen Wall Refrigeration Showcase

**MODELS:** MURO H78 PRO 600, MURO H78 PRO 1000, MURO H78 PRO 1200, MURO H78 PRO 1500, MURO H78 PRO 1800, MURO H78 PRO 2000, MURO H78 PRO 2400



Photos shown with optional wood finish exterior and black finish interior. Cases are standard polished stainless steel interior and exterior.



Visit our website for more finishing options and RAL colors  
[www.oscartek.com](http://www.oscartek.com)

\*Oscartek reserves the right to change, modify, discontinue, or change any features, sizes, or capacity on any model without prior notice.

OSCARTEK®  
512 South Airport Blvd., South San Francisco, CA 94080  
Tel: 650.342.2400 | Fax: 650.342.7400  
[www.oscartek.com](http://www.oscartek.com)





Discover the Art of Display...

Project Name: \_\_\_\_\_

Item #: \_\_\_\_\_ Quantity: \_\_\_\_\_

# MURO H78 PRO

MODELS: MURO H78 PRO 600, MURO H78 PRO 1000, MURO H78 PRO 1200, MURO H78 PRO 1500, MURO H78 PRO 1800, MURO H78 PRO 2000, MURO H78 PRO 2400



\*Oscartek reserves the right to change, modify, discontinue, or change any features, sizes, or capacity on any model without prior notice.

OSCARTEK®  
512 South Airport Blvd., South San Francisco, CA 94080  
Tel: 650.342.2400 | Fax: 650.342.7400  
www.oscartek.com





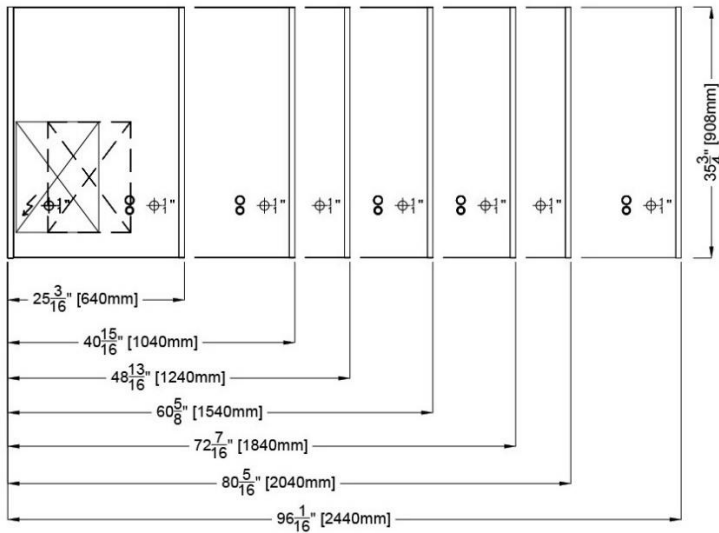
Project Name: \_\_\_\_\_  
 Item #: \_\_\_\_\_ Quantity: \_\_\_\_\_

# MURO H78 PRO

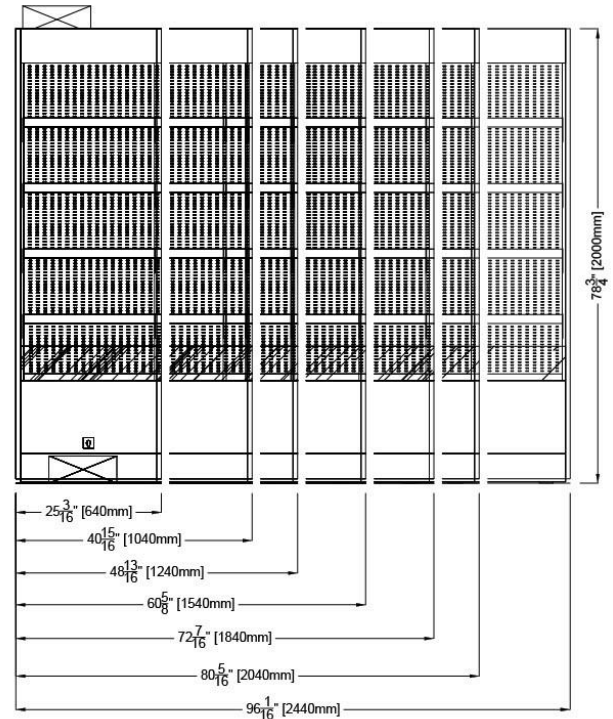
**MODELS:** MURO H78 PRO 600, MURO H78 PRO 1000, MURO H78 PRO 1200, MURO H78 PRO 1500, MURO H78 PRO 1800, MURO H78 PRO 2000, MURO H78 PRO 2400

## STANDARD: MURO H78 PRO SELF SERVE – REMOTE CONDENSING UNIT

### PLAN VIEWS



### FRONT ELEVATIONS



#### ELECTRICAL LEGEND

∞	REFRIGERATION LINES
Φ 1"	DRAIN
⚡	POWER

\*Oscartek reserves the right to change, modify, discontinue, or change any features, sizes, or capacity on any model without prior notice.

OSCARTEK®  
 512 South Airport Blvd., South San Francisco, CA 94080  
 Tel: 650.342.2400 | Fax: 650.342.7400  
 www.oscartek.com

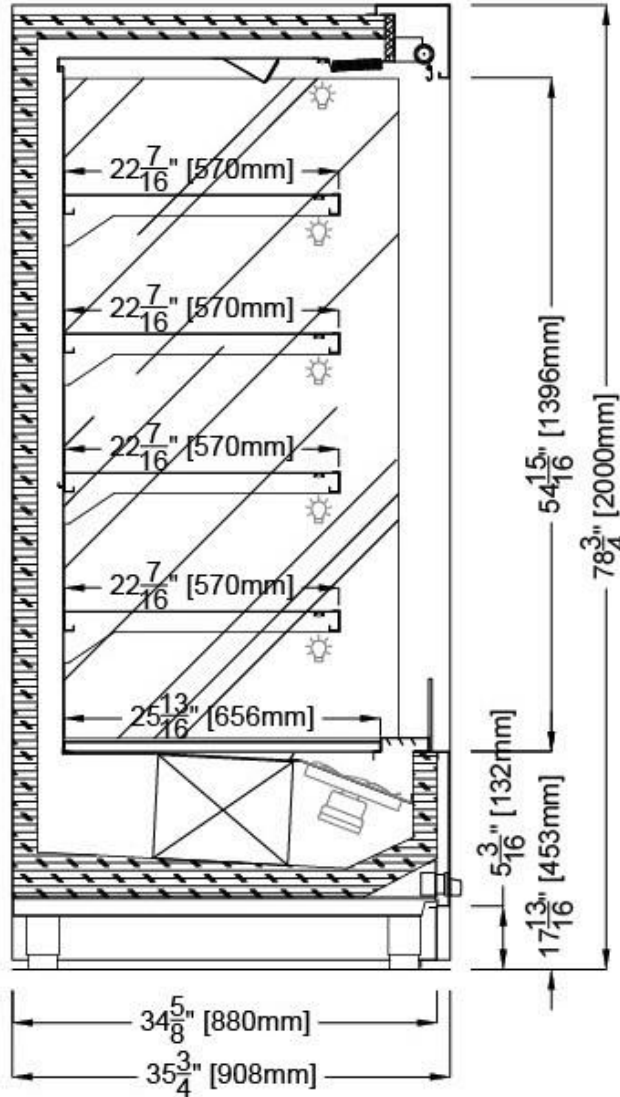


## MURO H78 PRO

**MODELS:** MURO H78 PRO 600, MURO H78 PRO 1000, MURO H78 PRO 1200, MURO H78 PRO 1500, MURO H78 PRO 1800, MURO H78 PRO 2000, MURO H78 PRO 2400

### STANDARD: MURO H78 PRO WITH GLASS SIDES SECTION VIEWS

#### STANDARD: REMOTE CONDENSING UNIT



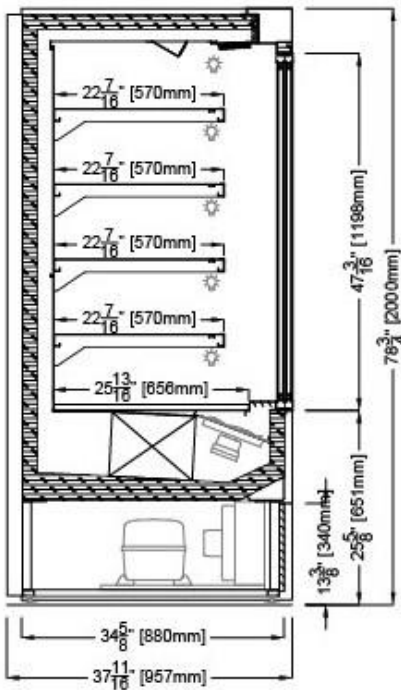
\*Oscartek reserves the right to change, modify, discontinue, or change any features, sizes, or capacity on any model without prior notice.

## MURO H78 PRO

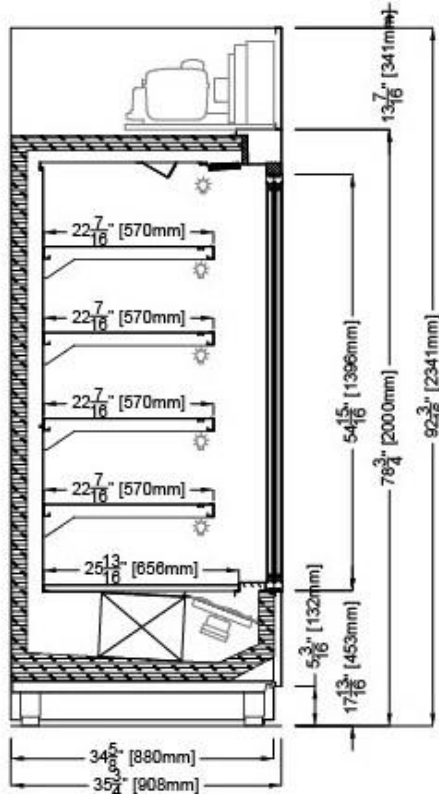
**MODELS:** MURO H78 PRO 600, MURO H78 PRO 1000, MURO H78 PRO 1200, MURO H78 PRO 1500, MURO H78 PRO 1800, MURO H78 PRO 2000, MURO H78 PRO 2400

### OPTIONALS: MURO H78 PRO WITH SLIDING GLASS DOORS SECTION VIEWS

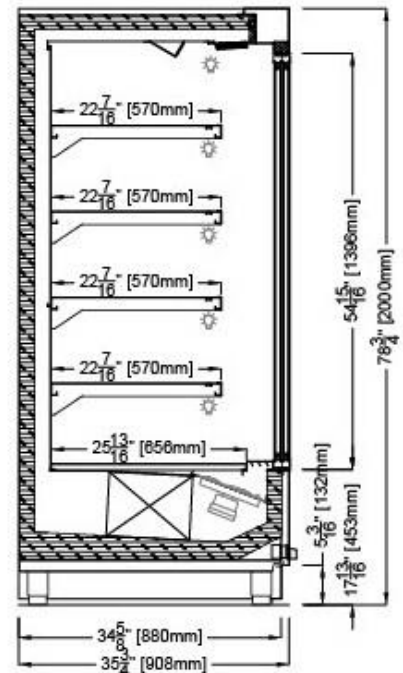
**OPTIONAL:  
SELF CONTAINED BOTTOM  
MOUNT CONDENSING UNIT**



**OPTIONAL:  
SELF CONTAINED TOP MOUNT  
CONDENSING UNIT**



**OPTIONAL:  
REMOTE CONDENSING UNIT**



\*Oscartek reserves the right to change, modify, discontinue, or change any features, sizes, or capacity on any model without prior notice.

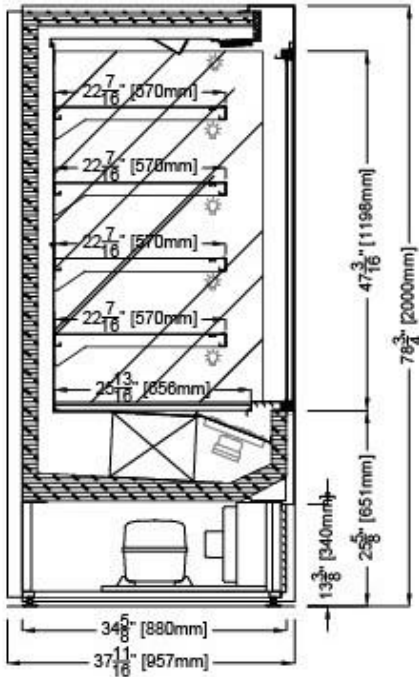
## MURO H78 PRO

**MODELS:** MURO H78 PRO 600, MURO H78 PRO 1000, MURO H78 PRO 1200, MURO H78 PRO 1500, MURO H78 PRO 1800, MURO H78 PRO 2000, MURO H78 PRO 2400

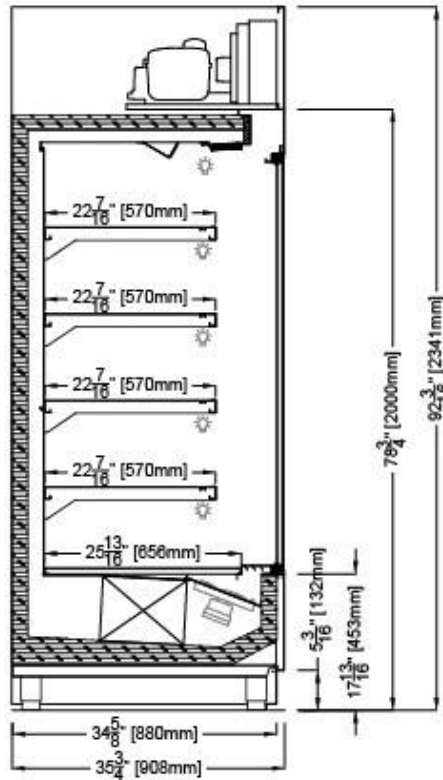
### OPTIONALS: MURO H78 PRO WITH SWING GLASS DOORS

#### SECTION VIEWS

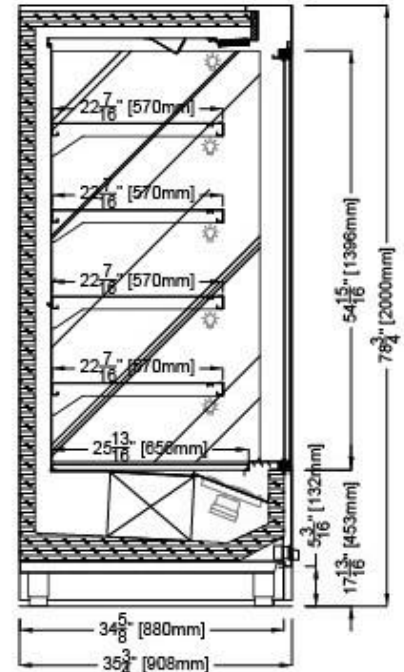
**OPTIONAL:  
SELF CONTAINED BOTTOM  
MOUNT CONDENSING UNIT**



**OPTIONAL:  
SELF CONTAINED TOP MOUNT  
CONDENSING UNIT**



**OPTIONAL:  
REMOTE CONDENSING UNIT**



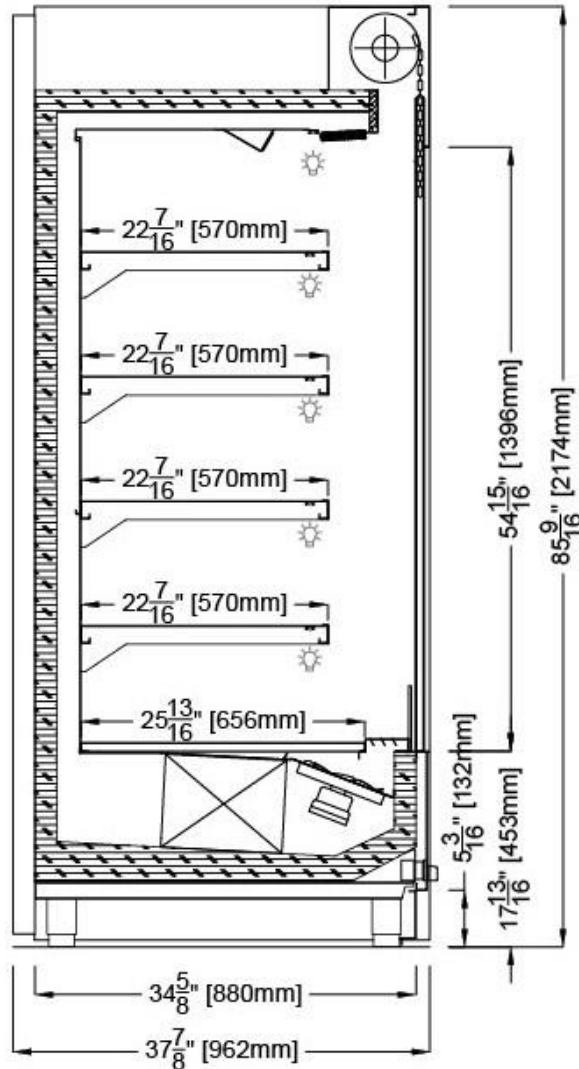
\*Oscartek reserves the right to change, modify, discontinue, or change any features, sizes, or capacity on any model without prior notice.

## MURO H78 PRO

**MODELS:** MURO H78 PRO 600, MURO H78 PRO 1000, MURO H78 PRO 1200, MURO H78 PRO 1500, MURO H78 PRO 1800, MURO H78 PRO 2000, MURO H78 PRO 2400

### OPTIONALS: MURO H78 PRO WITH ROLL DOWN SHUTTER SECTION VIEW

#### OPTIONAL: REMOTE CONDENSING UNIT



\*Oscartek reserves the right to change, modify, discontinue, or change any features, sizes, or capacity on any model without prior notice.



Project Name: \_\_\_\_\_  
 Item #: \_\_\_\_\_ Quantity: \_\_\_\_\_

## MURO H78 PRO

**MODELS:** MURO H78 PRO 600, MURO H78 PRO 1000, MURO H78 PRO 1200, MURO H78 PRO 1500, MURO H78 PRO 1800, MURO H78 PRO 2000, MURO H78 PRO 2400

MURO H78 PRO SELF SERVE AIR SCREEN REFRIGERATION					
TECHNICAL FEATURES		MODELS			
		MURO H78 PRO 600 (MUOPH78GS25)	MURO H78 PRO 1000 (MUOPH78GS41)	MURO H78 PRO 1200 (MUOPH78GS49)	MURO H78 PRO 1500 (MUOPH78GS61)
External Dimensions (L-D-H) Inches-MM	Inches MM	*25 3/16" - 35 3/4" - 78 3/4" *640 - 908 - 2000	*40 15/16" - 35 3/4" - 78 3/4" *1040 - 908 - 2000	*48 13/16" - 35 3/4" - 78 3/4" *1240 - 908 - 2000	*60 5/8" - 35 3/4" - 78 3/4" *1540 - 1117 - 2000
Crated Dimensions (L-D-H) Inches-MM	Inches MM	31" - 44" - 85" 787 - 1117 - 2160	46" - 44" - 85" 1168 - 1117 - 2160	56" - 44" - 85" 1422 - 1117 - 2160	67" - 44" - 85" 1701 - 1117 - 2160
Operating Temperature	°F	40°F	40°F	40°F	40°F
Air Cooled Condensing Unit	---	1	1	1	1
BTU'S @ +10°F Expansion Temperature	**BTU'S	**6500	**7850	**8900	**10,200
Electric Supply	(V/Ph/Hz)	208-220/1/60	208-220/1/60	208-220/1/60	208-220/1/60
Power Consumption	(W/A)	1450/6.9	1650/7.2	2500/14.5	2800/14.5
Climatic Class	°F/H.R.	75°F-55%RH	75°F-55%RH	75°F-55%RH	75°F-55%RH
Refrigerant Gas	Type	R404A / R452A	R404A / R452A	R404A / R452A	R404A / R452A
Pipe Size (Inches)	Suction, Liquid	5/8" Suction, 5/16" Liquid	5/8" Suction, 5/16" Liquid	5/8" Suction, 3/8" Liquid	3/4" Suction, 3/8" Liquid
Net Weights	Kg/Lb	350	400	610	730
Crated Weights	Kg/Lb	410	460	670	790
<b>*DIMENSIONS ARE WITH STANDARD GLASS SIDES</b>					
<b>**ACTUAL BTU'S WILL VARY. YOU MUST RELY ON PRODUCTION DRAWINGS SUBMITTED PER EACH PROJECT.</b>					
<b>NOTES:</b>					
<b>1) 85°F AMBIENT AND 55% RELATIVE HUMIDITY   2) FLOOR SINK RECOMMENDED ON THESE MODELS</b>					

\*Oscartek reserves the right to change, modify, discontinue, or change any features, sizes, or capacity on any model without prior notice.

OSCARTEK®  
 512 South Airport Blvd., South San Francisco, CA 94080  
 Tel: 650.342.2400 | Fax: 650.342.7400  
 www.oscartek.com







Project Name: \_\_\_\_\_  
 Item #: \_\_\_\_\_ Quantity: \_\_\_\_\_

## MURO H78 PRO

**MODELS:** MURO H78 PRO 600, MURO H78 PRO 1000, MURO H78 PRO 1200, MURO H78 PRO 1500, MURO H78 PRO 1800, MURO H78 PRO 2000, MURO H78 PRO 2400

MURO H78 PRO SELF SERVE AIR SCREEN REFRIGERATION				
TECHNICAL FEATURES		MODELS		
		MURO H78 PRO 1800 (MUROPH78GS72)	MURO H78 PRO 2000 (MUROPH78GS80)	MURO H78 PRO 2400 (MUROPH78GS96)
External Dimensions (L-D-H) Inches-MM	Inches MM	*72 7/16" - 35 3/4" - 78 3/4" *1840 - 908 - 2000	*80 5/16" - 35 3/4" - 78 3/4" *2040 - 908 - 2000	*96 1/16" - 35 3/4" - 78 3/4" *2440 - 908 - 2000
Crated Dimensions (L-D-H) Inches-MM	Inches MM	79" - 44" - 85" 2006 - 1117 - 2160	87" - 44" - 85" 2209 - 1117 - 2160	103" - 44" - 85" 2616 - 1117 - 2160
Operating Temperature	°F	40°F	40°F	40°F
Air Cooled Condensing Unit	—	1	1	1
BTU'S @ +10°F Expansion Temperature	**BTU'S	**11,500	**13,500	**17,000
Electric Supply	(V/Ph/Hz)	208-220/1/60	208-220/1/60	208-220/1/60
Power Consumption	(W/A)	3500/16.5	3900/17.5	(2) 2500/14.5
Climatic Class	°F/H.R.	75°F-55%RH	75°F-55%RH	75°F-55%RH
Refrigerant Gas	Type	R404A / R452A	R404A / R452A	R404A / R452A
Pipe Size (Inches)	Suction, Liquid	3/4" Suction, 3/8" Liquid	7/8" Suction, 3/8" Liquid	(2) 5/8" Suction, 3/8" Liquid
Net Weights	Kg/Lb	840	950	1100
Crated Weights	Kg/Lb	900	1010	1160
<b>*DIMENSIONS ARE WITH GLASS SIDES</b>				
<b>**ACTUAL BTU'S WILL VARY. YOU MUST RELY ON PRODUCTION DRAWINGS SUBMITTED PER EACH PROJECT.</b>				
<b>NOTES:</b>				
<b>1) 85°F AMBIENT AND 55% RELATIVE HUMIDITY   2) FLOOR SINK RECOMMENDED ON THESE MODELS</b>				

\*Oscartek reserves the right to change, modify, discontinue, or change any features, sizes, or capacity on any model without prior notice.

